

ShotPod Owner's Manual



Trek Technologies LLC
1440 NW Overton St. #150 • Portland, OR 97209
503.459.0030 • www.trek-tech.com



Table of Contents

First Steps	1
Taking the ShotPod for a Spin.....	2
Hiking Mode.....	3
Monopod Mode.....	4
Tripod Mode	4
MagMount	5
Specifications:	7
Limited Lifetime Warranty.....	7
Product Repair & Exchange Information	8
Exploded View & Parts List	9

WARNING: Do Not Hike With Legs in the Open Position

ShotPod™—the hunting tripod

Congratulations! You are now the proud new owner of the ShotPod™, the revolutionary trekking tripod and shooting rest system that is the most exciting and innovative new product to come along in years for the outdoor sporting world. We know you will find its multi-functionality a wonderful addition to your outdoor experience.

The Trek-Tech team is here to support you if needed. Contact us, and learn more about our products, by visiting our website, www.trek-tech.com. You can also visit our web site to find your nearest ShotPod, TrekPod™ and MagMount™ dealer.



Photo 1

First Steps

You should have received with your purchase:

- One ShotPod (see photo 1)
- One shooting rest with magnetic mounting system (see photo 2)



Photo 2

The shooting rest can be left attached all the time, or quickly exchanged, via its magnet mounting system with an optional Cork Palm Rest (see photo 3), or Trek-Tech's MagMount optical device mounting system with integrated swivel ball head and safety clip (see photo 5).



Photo 3

Note: for updated information on new and available accessories, or to visit our web store, please go to www.trek-tech.com.

Warranty Information. It is very important to activate your warranty, please take a few moments to register on our website at www.trek-tech.com/warranty, or with the enclosed mail-in registration card. (See warranty on page 7 for more information.)

By registering, you will not only initiate your limited lifetime warranty, but you will have the opportunity to become a member of our **ShotPod** community of users. Here you can post pictures of your adventures with the **ShotPod**, see where and how other people are using the **ShotPod** around the world, earn points to win free **ShotPod** accessories, and tell us if you would like to be kept updated on new products as they become available.

Taking the ShotPod for a Spin

You can use your **ShotPod** in five different modes:

- Shooting Rest/Monopod mode
- Shooting Rest/Tripod mode
- Hiking staff/walking stick
- Tripod for cameras and optics
- Monopod for camera and optics



Photo 5

Hiking Mode

The **ShotPod** comes completely assembled and ready for use; just magnetically mount your shooting rest when desired and adjust the height of the stick to your liking. The general rule of thumb is to set the height so your arm, when holding the cork grip, is bent at 90 degrees. To adjust height, loosen or tighten the locking nut by holding the lower tube with one hand and turning the locking nut with the other hand (see photo 6).



Photo 6

In hiking staff mode, the **ShotPod** can telescope up to 62.5" (159 cm). At this height you will notice a marking on the upper tube that says "stop here". This is the maximum height to which you should adjust the **ShotPod**.

Before hiking, make sure the **ShotPod** legs are tightly together. Turn the **ShotPod**™ upside down, put your hand close to the Velcro and squeeze the legs together (see Photo 7), and then wrap the Velcro tightly around the legs. Squeezing the legs creates a nice tight leg closure and eliminates any leg noise when using the **ShotPod** as a hiking staff.



Photo 7

WARNING: Do Not Hike With Legs in the Open Position

Monopod Mode

By removing the shooting rest and the threaded magnetic adapter assembly you will expose an industry standard 1/4 20 threaded stud onto which you can mount any device which utilizes that system. Alternatively, you can purchase additional inexpensive Mag Adapters and magnetically mount and demount your other devices.

As a third option, you could purchase a MagMount system to replace your standard shooting rest mounting system. All of your optional devices will now magnetically mount, and you will have the additional functionality of a fully adjustable swivel ball head when using your ShotPod in the tripod mode.

See the MagMount chapter in the manual for more details on the MagMount system.



Photo 8

Tripod Mode

Change the ShotPod from hiking or monopod mode to tripod mode by unhooking the Velcro strap and extending the legs fully to their most open position (see Photo 8).

Set the height as noted above. You can use the ShotPod on somewhat uneven terrain (see Photo 9) by adjusting the legs to compensate for the contour of the ground. You can adjust the leg tension (to



Photo 9

your taste and to compensate for wear over time) by adjusting the Allen head screw at the hinge joint between the legs. Do not over tighten. (see Photo 10).



Photo 10

A 5/32" (4mm) Allen head wrench is required (not included) to make this adjustment. When going back to hiking

staff mode, follow the instructions in the "Hiking mode" section to make sure the legs are tightly closed.

MagMount

ShotPod's Optional MagMount System

Photo 11: components of the MagMount System. The MagMount can be used either with your ShotPod or with any tripod, monopod or window mount system that utilizes the 1/4-20 mounting system. Note: a few monopods have short 1/4-20 threaded studs so the MagMount may not work correctly



Photo 11



Photo 12

Screw the appropriate Mag Adapter onto your optical device (silver for small digital cameras or black for heavier cameras, spotting scopes, or binoculars). Set your optical device on the MagMount (see Photo 12). If your optical device is not weight balanced over the MagMount, line up the heavy side of the device over one of the legs for additional stability.

Loosen the tilt & swivel-locking knob on the MagMount for re-positioning.

There is a cutout in the MagMount housing to allow your camera to rotate to portrait positioning. Re-tighten the knob when your device is positioned as you want it. You should note how tightly held your optical device is to the MagMount. (If you use a heavy optical device, it will come off of the MagMount a bit easier than when you are using a lighter device.)



Photo 13

The safety clip is housed on the lower section of the **MagMount**. (see Photo 13) Pull it off the housing and slide it onto the Mag Adapter and Magnet Holder (see Photos 14 & 15). The safety clip will secure your optical device to the **MagMount** whenever

needed.

Note: Even in direct physical contact, the magnet will cause no harm to digital or film media.

There is an article published in the August 2004 PC World magazine titled, "Busting the Biggest PC Myths", explaining how magnetic devices do not damage digital forms of data storage.

The article can be read at: <http://www.pcworld.com/news/article/0,aid,116572,00.asp>.

The magnet is a powerful rare earth magnet that can pinch fingers, and could possibly, in close proximity, cause damage to the electronics in a pacemaker. **Please handle with care!**

If you place a Mag Adapter on the **MagMount** without a device attached, you will find it very difficult to remove. If this happens, we suggest you attach a device to the Mag Adapter (see photo 16) and use a tilting or lever motion to separate it from the **MagMount**.



Photo 16

Best practice is to store Mag Adapters on their respective devices to guard against loss, and for the highest level of convenience.



Photo 14



Photo 15

Caution: The magnet, in very close contact, can affect magnetic media, such as the magnetic strip on the back of your credit cards, or the magnetic recording tape used in cassette recorders and some digital video cameras.

Specifications:

ShotPod weight	31 oz./ .9 kg (including shooting rest)
Shooting Rest weight	3.6 oz./ .10 kg (as separate accessory)
Optional MagMount weight	3 oz./ .085 kg (as separate accessory)
Height range in tripod mode	43 to 60 inches/109 to 152 cm
Height range in Hiking Staff/monopod mode	46.5 to 62.5 inches/118 to 159 cm
Disassembled, packable length	Two components, approximately 35.5 inches/90cm or less
Open leg diameter	22 inches/56 cm

Limited Lifetime Warranty

Your **ShotPod** and shooting rest are warranted for as long as you own them. We warrant them to be free of defects in materials and workmanship, and to function satisfactorily under normal, intended use conditions.

If at any time a warranted product is found to have a defect in materials or workmanship, Trek-Tech will, at our discretion, repair or replace it free of charge, when requested by the original owner, or a properly registered subsequent owner.

The warranty is void if damage results from unauthorized repair, alteration, or misuse. Note that walking or hiking with the tripod legs open is misuse. Further, with the legs open, the **ShotPod** should only be "placed" on the ground, not "forced or jammed" onto (or into) the ground.

The warranty is granted to the original owner and can be transferred to subsequent owners by following the "Subsequent Owner Registration" process on our website. To activate or transfer the warranty, register the product

online at www.trek-tech.com/warranty or complete the enclosed warranty card, stamp and mail as addressed.

This is a limited warranty, and you may have other rights which vary from state to state. The obligation of the warrantor is solely to repair or replace the product. The warrantor is not liable for any incidental or consequential damage due to such defect.

Product Repair & Exchange Information

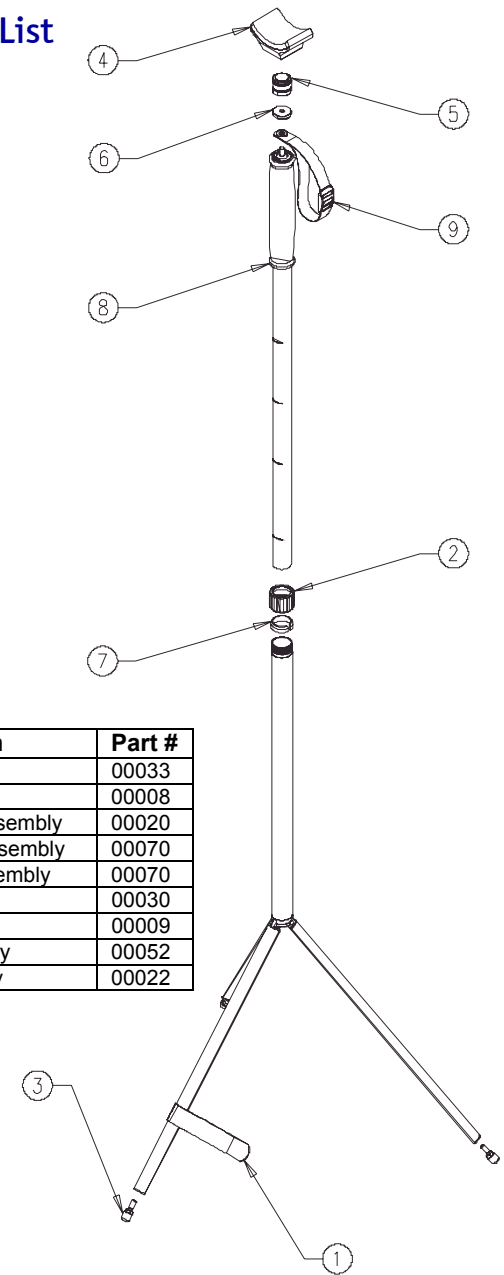
If your ShotPod or shooting rest should ever require repair, in or out of warranty, you need to request a Return Authorization (RA) number so that when it arrives we'll be able to act as quickly as possible to get it back to you.

To process a warranty claim, please request a Return Authorization number and instructions by filling out the RA form at www.trek-tech.com/warranty, or call us at 503.459.0030.

You will also find a complete selection of replacement and spare parts in our web store.

Exploded View & Parts List

Item	Qty	Name/Description	Part #
1	1	Leg Strap	00033
2	1	Locking Nut	00008
3	3	Overmolded Foot Assembly	00020
4	1	Padded ShotRest Assembly	00070
5	1	ShotRest Mount Assembly	00070
6	1	Strap Retainer	00030
7	1	Tapered Ring	00009
8	1	Upper Tube Assembly	00052
9	1	Wrist Strap Assembly	00022



REMEMBER: Do Not Hike With Legs in the Open Position!